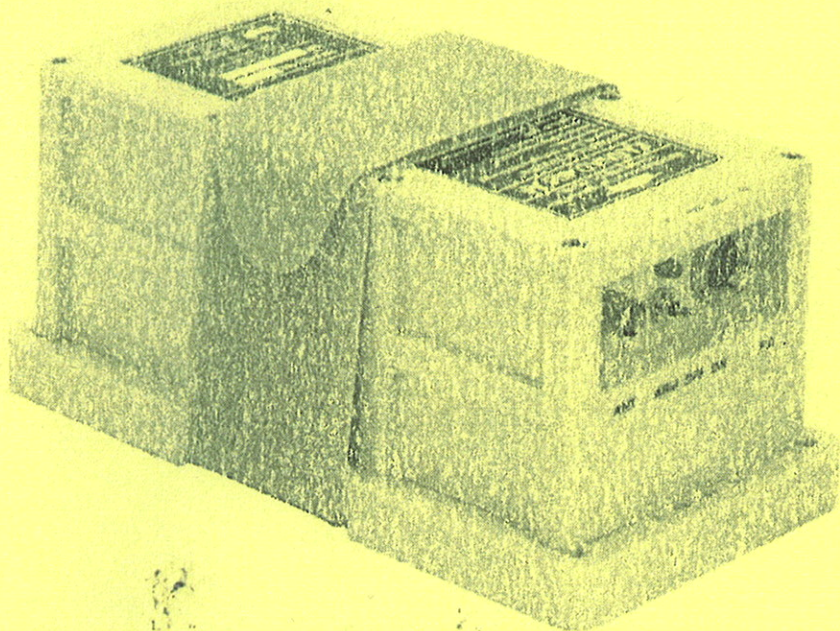


DMA174L
Ref. 0139162L

KANNAD

Emergency Locator Transmitters by **martec**

INSTALLATION MANUAL OPERATION MANUAL INSPECTION LOG



KANNAD 406 AF / AF-H / AF (6D)

P/N : S1821502-02
P/N : S1822502-02
P/N : S1821502-06
P/N : S1820511-01

KANNAD 406 AF transmitter
KANNAD 406 AF-H transmitter
KANNAD 406 AF(6D) transmitter
Mounting bracket, 1 strap

362575

Revision 10

First issue: SEP 02/1999

TP PAGE : 1

Date of rev. JUN 27/2005

ARTICLE SERVÉ EN LIGNE: THIS DOCUMENT IS THE PROPERTY OF MAP-TEC S.p.A. (EASA) and contains proprietary, etc. information. The service provider for this express is not responsible for the information contained therein and the information shall be returned immediately to MAP-TEC S.p.A. upon request. It shall not be used by any recipient without prior written acceptance by SEPT-EESM. Furthermore, the document shall be returned immediately to MAP-TEC S.p.A. upon request.



RECORD OF REVISIONS

REV. Nb	REVISION DATE	INSERTION DATE	BY
01			
02			
03			
04			
05			
06	OCT 14/2003	OCT 14/2003	J. S.
07	NOV 19/2003	NOV 19/2003	J. S.
08	APR 23/2004	APR 23/2004	J. S.
09	JAN 24/2005	JAN 24/2005	J.S
10	JUN 27/2005	JUN 27/2005	J. S.

RECORD OF REVISIONS

PAGE INTENTIONALLY LEFT BLANK

LIST OF EFFECTIVE PAGES

SUBJECT	PAGE	DATE
Title Page		
TP	1	JUN 27/2005
Record of Revisions		
ROR	1	JUN 27/2005
ROR	2	JUN 27/2005
List of Effective Pages		
LEP	1	JUN 27/2005
LEP	2	JUN 27/2005
Table of Contents		
TOC	1	JUN 27/2005
TOC	2	JUN 27/2005
TOC	3	JUN 27/2005
TOC	4	JUN 27/2005
Introduction		
INTRO	1	JUN 27/2005
INTRO	2	JUN 27/2005
System Overview		
	1	JUN 27/2005
	2	JUN 27/2005
	3	JUN 27/2005
	4	JUN 27/2005
	5	JUN 27/2005
	6	JUN 27/2005
System Functional Description and Operation		
	101	JUN 27/2005
	102	JUN 27/2005

LIST OF EFFECTIVE PAGES

SUBJECT	PAGE	DATE	
Installation / Removal	103	JUN 27/2005	
	104	JUN 27/2005	
	105	JUN 27/2005	
	106	JUN 27/2005	
	107	JUN 27/2005	
	108	JUN 27/2005	
	109	JUN 27/2005	
	110	JUN 27/2005	
	Check	201	JUN 27/2005
		202	JUN 27/2005
203		JUN 27/2005	
204		JUN 27/2005	
205		JUN 27/2005	
206		JUN 27/2005	
207		JUN 27/2005	
208		JUN 27/2005	
209		JUN 27/2005	
210		JUN 27/2005	
Troubleshooting	301	JUN 27/2005	
	302	JUN 27/2005	
	303	JUN 27/2005	
	304	JUN 27/2005	
	401	JUN 27/2005	

LIST OF EFFECTIVE PAGES

SUBJECT	PAGE	DATE
	402	JUN 27/2005
Schematics and Diagrams	501	JUN 27/2005
	502	JUN 27/2005
	503	JUN 27/2005
	504	JUN 27/2005
Servicing	601	JUN 27/2005
	602	JUN 27/2005
	603	JUN 27/2005
	604	JUN 27/2005
	605	JUN 27/2005
	606	JUN 27/2005
	607	JUN 27/2005
	608	JUN 27/2005
	609	JUN 27/2005
	610	JUN 27/2005
	611	JUN 27/2005
	612	JUN 27/2005
	613	JUN 27/2005
	614	JUN 27/2005
	615	JUN 27/2005
	616	JUN 27/2005

LIST OF EFFECTIVE PAGES

PAGE INTENTIONALLY LEFT BLANK

TABLE OF CONTENTS

INTRODUCTION	1
SYSTEM OVERVIEW	1
COSPAS-SARSAT System	1
Description	1
World coverage with the COSPAS-SARSAT system	2
Environmental improvements of ELTs	2
G-Switch (shock detectors)	2
KANNAD 406 ELTs Presentation	3
LINE REPLACEABLE UNITS	4
Transmitter	4
Bracket	4
Remote Control Panel	4
Outside antenna	4
Design features	5
General	5
Mechanical design	5
SYSTEM FUNCTIONAL DESCRIPTION AND OPERATION	101
Transmitter	101
Controls	102
Working mode information	103
Off	103
Self-Test	103
Armed	104
On	104
Autonomy	105
Technical characteristics	106
Mechanical characteristics	106
Material	106
Overall Dimensions	106
Weight	106
Electrical characteristics	106
Electrical interface	106
J1	107
J2	107
Technical Specifications	108
Activation	109
Standby mode for automatic activation	109
Manual activation	109
Reset	109
Manual reset	109
Reset with Remote Control Panel	109
Self-Test	109

TABLE OF CONTENTS

INSTALLATION / REMOVAL	201
RTCA / FAR recommendations	201
Registration and Programming	202
"Pin programming" option	202
Installation	204
KANNAD 406 AF installation	206
Fixed wings	206
Helicopters	206
KANNAD 406 AF-H installation	207
KANNAD 406 AF (6D) installation	208
First power up	208
Removal.....	209
CHECK	301
Self-test.....	301
Periodicity	301
Self-test procedure	301
ELT operational tests	302
Installation without programming dongle:	302
Installation with "Programming Dongle":	302
RCP operational tests	303
406 and 121.5 MHz transmission test	304
406 MHz	304
121.5 MHz	304
TROUBLESHOOTING	401
General	401
Faults on Self-test	401
Indicator lamp	401
3+1 flashes	401
3+2 flashes	401
3+3 flashes	401
3+4 flashes	401
Other faults detected	401
Buzzer	401
Buzzer does not operate.	401
Buzzer operates permanently when ELT in ARM mode.	401
SCHEMATICS & DIAGRAMS	501
Outline Dimensions	501
Drilling Mask	502
Wiring	503
SERVICING	601
Maintenance Schedule	601

TABLE OF CONTENTS

Periodic inspection	601
Every 6 years	601
Battery replacement	602
Pre-delivery Inspection Log	603
Periodic Inspection Log	604
Programming Log	610

TABLE OF CONTENTS

PAGE INTENTIONALLY LEFT BLANK

INTRODUCTION

The instructions in this manual provide the information necessary for the installation and the operation of KANNAD 406 AF, AF-H and AF (6D) ELTs.

Servicing instructions are normally performed by shop personnel.

For servicing and maintenance instructions, refer to CMM 25-63-01.

PAGE INTENTIONALLY LEFT BLANK

SYSTEM OVERVIEW

1. COSPAS-SARSAT System

A. Description

Launched in the early eighties by the four founder countries (Canada, France, Russia, USA), the COSPAS-SARSAT system provides satellite aid to search and rescue (SAR) operations for maritime, aeronautical and terrestrial vehicles anywhere in the world.

It uses distress beacons fitted on mobiles and a constellation of LEO and GEO satellites which relay the 121.5 / 243 MHz signals and process the 406 MHz signal to ground stations (LUT) where the beacon positions are determined (with a precision of 10 NM with 121.5 / 243 signals and less than 2 NM with 406 signals).

Several types of beacons are designed to match the various applications of the COSPAS-SARSAT system:

- EPIRB (Emergency Position Indicating Radio Beacon) for maritime applications.
- ELT (Emergency Locator Transmitter) for aeronautical applications.
- PLB (Personal Locator Beacon) for land expeditions.

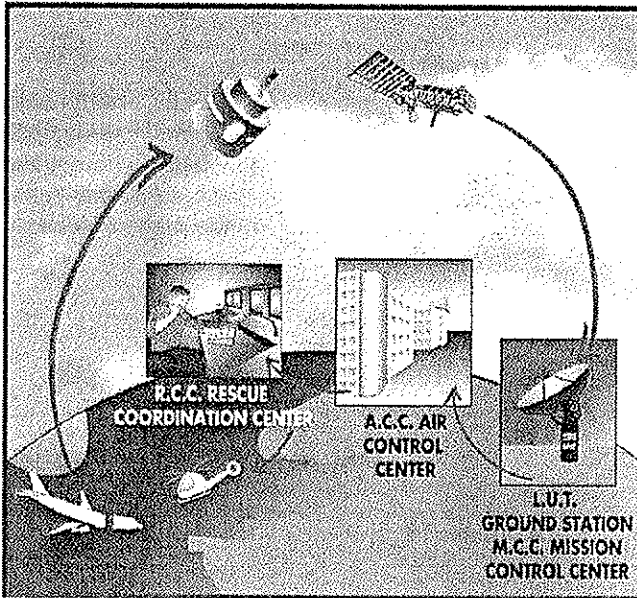


Figure 1: COSPAS-SARSAT System

B. World coverage with the COSPAS-SARSAT system

The major improvement is the use of the COSPAS-SARSAT system for processing aeronautical emergencies.

The difference with the 121.5 / 243 MHz is that the 406 MHz transmission carries digital data which enable the identification of the aircraft in distress and facilitate SAR operation (type of the aircraft, number of passengers, type of emergency).

The 406 MHz message is transmitted to the COSPAS-SARSAT satellites. This message is downloaded to one of the 27 ground stations (LUT).

The aircraft is located by Doppler effect by the LEO satellites with a precision better than 2 NM (4 km) at any point of the earth.

C. Environmental improvements of ELTs

The certification of an ELT includes a range of severe mechanical tests:

- resistance to flame;
- impact and crush tests;
- resistance to 100 G and 500 G shocks;
- watertightness;
- antideflagration;
- extreme temperatures (-20°C to 55°C for more than 48 hours);
- salt fog ...

D. G-Switch (shock detectors)

The shock detectors currently equipping automatic ELTs are the cause of a large number of false alarms. Major work has consisted in studying aircraft crashes (study made by the " Crash Research Institute ") and evaluating the acceleration amplitudes involved. As a consequence, G-Switch specifications have been modified to optimize the accuracy of the crash detection.

2. KANNAD 406 ELTs Presentation

The KANNAD 406 AF / AF-H / AF (6D) are composed of:

1. a transmitter;
2. a mounting bracket;
3. a remote control panel (mandatory if ELT controls are not available from the pilot's position, refer to RTCA/DO-183, RTCA/DO-204, EUROCAE ED-62);
4. an outside antenna;
5. a "Programming Dongle" for pin-programming function (option);
6. CS144 Interface Module (option).

The transmitter, bracket, Programming Dongle and CS144 Interface Module are installed in the aircraft near the tail. The outside antenna is mounted on the fuselage near the tail. The remote control panel is installed in the cockpit and connected to the ELT with a 4 or 5 wire bundle.

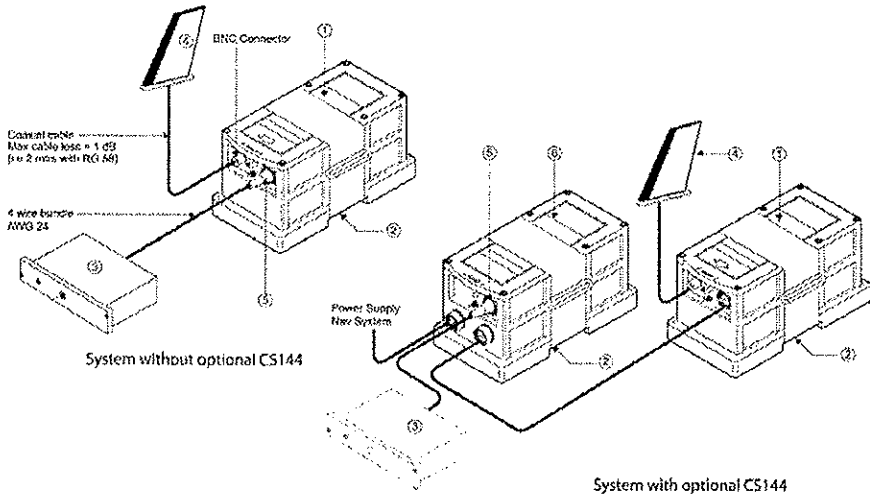


Figure 2: ELT system description

The KANNAD 406 AF and AF(6D) are designed to be installed on fixed wing aircraft or helicopters.

The KANNAD 406 AF-H is to be installed **only on helicopters**.

3. LINE REPLACEABLE UNITS

A. Transmitter

The KANNAD 406 AF / AF-H / AF (6D) is an ELT designed to be installed on board aircraft to transmit a distress signal on 3 frequencies:

- 406 MHz (COSPAS-SARSAT frequency) for precise pinpointing and identification of the aircraft in distress.
- 121,5 and 243 MHz used for homing in the final stages of the rescue operations.

The KANNAD 406 AF / AF-H / AF (6D) are certified as Automatic Fixed (AF) ELTs and only work with a three frequency outside antenna.

B. Bracket

The bracket installed near the tail is designed to fix the ELT with a Velcro® strap. This enables quick removal of the ELT for maintenance or exchange.

C. Remote Control Panel

A remote control panel is available for installation in the cockpit in order to enable the pilot to monitor and control the ELT status.

The following controls are to be found on the panel:

- 3 position switch (ON, ARMED, RESET&TEST);
- red or amber light;
- beeper (on certain versions).

The remote control panel is connected to the ELT via a 4 or 5 wire cable equipped with a "Programming Dongle" or a DIN 12 connector on the ELT side and the connector corresponding to the Remote Control Panel version on the other side.

D. Outside antenna

The outside antenna, also installed near the tail, can be either rod or blade type according to aircraft speed.

Connection to the ELT will be carried out with a 50 Ohm coaxial cable (RG58 for example) ended with a BNC connector.

4. Design features

A. General

The KANNAD 406 AF / AF-H / AF (6D) belong to the AF type of ELTs which are permanently attached to an aircraft.

B. Mechanical design

The KANNAD 406 AF / AF-H / AF (6D) are made of moulded plastic with excellent mechanical resistance (ASA/PC). They are color compound (light yellow).

The housing is designed with no sharp edges. It can be easily taken in one hand.

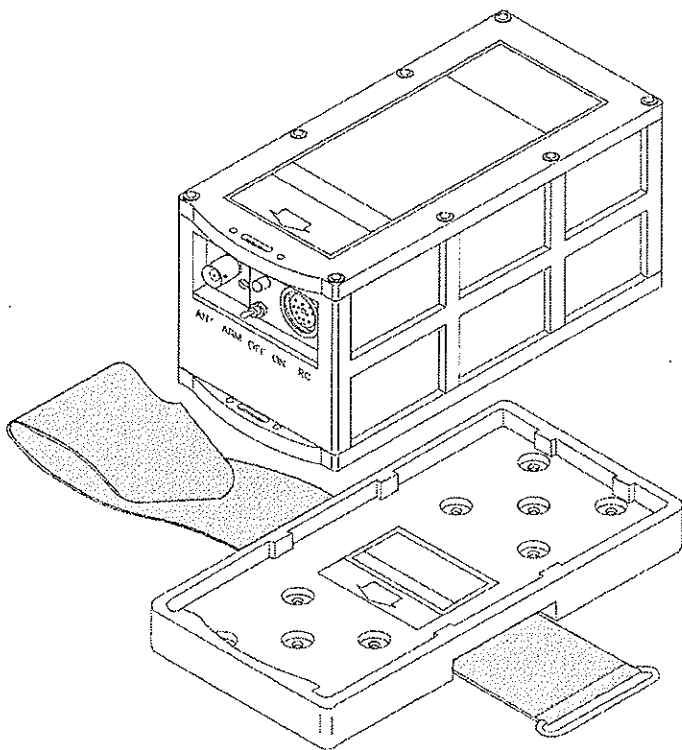


Figure 3: KANNAD 406 AF / AF-H / AF (6D) with mounting bracket

PAGE INTENTIONALLY LEFT BLANK

SYSTEM FUNCTIONAL DESCRIPTION AND OPERATION

1. Transmitter

The KANNAD 406 AF / AF-H / AF (6D) can be activated either automatically when the crash occurs (thanks to a shock sensor) or manually (thanks to a switch on the transmitter itself or on a Remote Control Panel).

The KANNAD 406 AF / AF-H / AF (6D) are designed to transmit on three frequencies (121.5, 243 and 406 MHz). The two basic emergency frequencies (121.5 and 243 Mhz) are mainly used for homing in the final stages of the rescue operations. The 406 MHz frequency is used by the COSPAS-SARSAT satellites for precise pinpointing and identification of the aircraft in distress.

Once activated, the transmitter operates continuously on 121,5 and 243,0 MHz with an output power of 100 mW on each frequency. The modulation is an audio frequency sweeping downwards from 1420 Hz to 490 Hz with a repetition rate of 3 Hz. The AM modulation factor is over 85%.

During the first 24 hours of operation, a digital message is transmitted on 406,025 MHz every 50 seconds. The output power on 406 MHz is 5 W.

The KANNAD 406 AF, AF-H and AF (6D) can transmit two types of messages on 406 MHz:

- 112 bits for a short message (identification only);
- 144 bits for a long message (identification + aircraft position).

The long messages are generated by a separate interface module (called CS144) connected to the ELT and either to a NAV equipment of the aircraft by RS232, RS422 or RS485 link.

Bi-phase modulation at 400 BPS enables to transmit all the relevant identification information to the COSPAS-SARSAT satellites in 440 ms (short message) or 520 ms (long message).

2. Controls

The following controls are to be found on the ELT front panel (from left to right):

1. 3 position switch ARM/OFF/ON;
2. red light (LED);
3. DIN 12 connector for connection to Remote Control Panel, CS144 interface module, dongle or programming equipment;
4. BNC connector for the antenna.

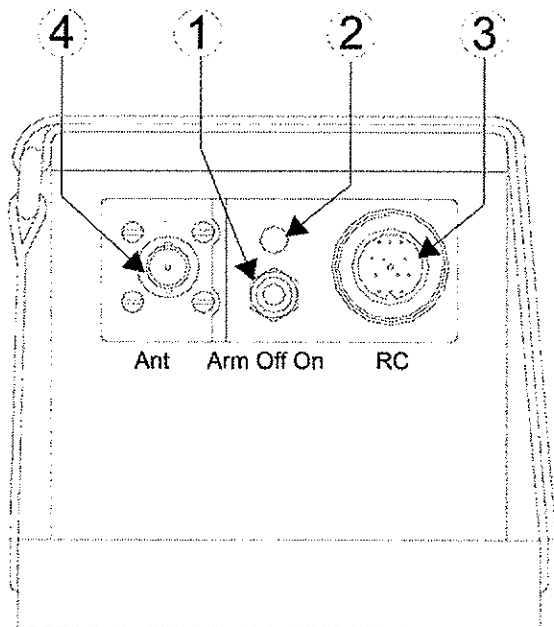


Figure 101: Front Panel

The red light gives an indication on the working mode of the beacon:

- after the self test: a series of short flashes indicate the self test failed, one long flash indicates a correct self test;
- in operating mode: periodic flashes during 121,5 / 243 transmission;
- long flash during 406 transmission.

A buzzer gives audio information on the beacon working:

- continuous beep during self test;
- 2 beeps per second during 121,5 / 243 transmission;
- silence during 406 transmission.

3. Working mode information

The KANNAD 406 AF / AF-H / AF (6D) have 4 different modes:

- Off.
- Self-test (temporary mode).
- Armed (standby mode to enable automatic activation by the shock sensor or by the remote control panel).
- On (transmission).

Transmission is effective if the beacon is activated (either manually on the ELT control panel, remotely by the "ON" button on the remote control panel or automatically by the shock sensor).

A. Off

The ELT is off when the switch is in position "OFF".

No part of the ELT is energized.

This mode must be selected when the ELT is removed from the aircraft.

B. Self-Test

The self-test mode is a temporary mode (max duration 5 sec) in which the ELT checks the main characteristics of the transmitter (Battery voltage, Programming) and enables digital communication with a programming and testing equipment.

This mode is selected:

- when switching from "OFF" to "ARM";
- when switching to "RESET / TEST" on the Remote Control Panel (provided that the switch of the ELT is in position "ARM");
- when switching to "ON" prior to transmission.

The buzzer operates during the self-test procedure.

After about 3 seconds, the test result is displayed on the LED as follows:

- One long flash indicates valid test.
- A series of short flashes indicates false test result.

The number of flashes indicates the type of failure:

- 3 + 1 = LOW BATTERY VOLTAGE.
- 3 + 2 = LOW TRANSMISSION POWER.
- 3 + 3 = FAULTY VCO LOCKING.
- 3 + 4 = NO IDENTIFICATION PROGRAMMED.

It is recommended to test the ELT regularly in order to detect any possible failure (Refer to A. Periodicity, page 301).

The number of self-tests carried out is recorded. This information is available when the ELT is connected to a programming and testing equipment (PR550).

C. Armed

In order to enable activation by the G-Switch or with the Remote Control Panel, the ELT must be in standby mode with the switch in position "ARM".

This mode is mandatory during flight. The ELT should remain in position "ARM" all the time except when the aircraft is parked for a long period or for maintenance.

The Remote Control Panel is energized by the ELT when switched to "ARM".

D. On

This mode is selected:

- manually by switching to position "ON";
- by switching the Remote Control Panel switch to position "ON" (provided that the ELT switch is in position "ARM");
- when a crash occurs (provided that the ELT switch is in position "ARM").

When this mode is selected, the ELT starts transmission:

- on 121,5 MHz & 243 MHz immediately (continuous transmission);
- on 406 MHz after 50 seconds (406 burst every 50 sec during 24 hours).

The red control LED on the ELT (and on the remote control panel if installed) flashes and the buzzer operates.

In case of accidental activation, the ELT can be reset either by switching it to "OFF" or by switching to "RESET" on the Remote Control Panel.

The number of 406 bursts effectively transmitted is recorded. This information is available when the ELT is connected to a programming and testing equipment (PR550).

4. Autonomy

The energy is provided by a battery pack composed of 3 LiMnO₂ D cells (See pages 108 & 602 for Kit battery reference).

Lithium cells, lithium batteries and equipment containing such batteries are subjected to regulations and classified under class 9 as from 1st of January 2003.

The autonomy of the 121,5/243 transmission is close to 100 hours at -20°C with new batteries.

The 406 MHz transmission is deliberately stopped after 24 hours to extend the 121,5/243 transmission for as long as possible. Indeed, in the worse conditions possible, a distress is pinpointed 2 hours maximum after the ELT activation and the position is subsequently updated every 2 hours. It is therefore preferable to keep the battery power for 121,5/243 MHz homing frequency transmission for the rescue operations.

The transmitter battery expiry date is fixed at 6 years after manufacturing. If no activation of the ELT occurs during the battery lifetime, it shall be replaced every 6 years.

5. Technical characteristics

A. Mechanical characteristics

The housing is to be installed on a Mounting Bracket (P/N S1820511-01).

(1) Material

- Material: Plastic ASA-PC LURAN SKR2867 CWU.
- Treatment: Light yellow color compound (RAL 1028), Fire classification M0.

(2) Overall Dimensions

Refer to 1. Outline Dimensions, page 501

- Transmitter outline dimensions: 172 x 82 x 82 mm.
- Outline dimensions with mounting bracket: 181 x 100 x 94 mm.

(3) Weight

	AF	AF-H	AF (6D)
Typical	1110 g (2.47 lbs)	1120 g (2.469 lbs)	1190 g (2.623 lbs)
Max	1180 g (2.60 lbs)	1190 g (2.623 lbs)	1260 g (2.778 lbs)

B. Electrical characteristics

Transmitter power supply: 3 x LiMnO₂ D type cells.

C. Electrical interface

When installed on board, the ELT has to be connected:

- to a Remote Control Panel via a DIN12 connector;
- to an outside antenna via a BNC connector.

The DIN12 connector is also used to connect a programming dongle, a CS144 interface or a programming and testing equipment.

(1) J1

This connector is dedicated for connection to the Remote Control Panel, to the Programming or Maintenance Dongles, to the CS144 interface and/or to the programming equipment (PR550).

IMPORTANT: Shielded cables are recommended. The required wires are AWG24.

J1	PIN	Signal Name	Destination	Direction
Viewed from Front Face 	J1-A	RCP TEST/RESET	RCP	IN
	J1-B	DONGLE RX	SMM / PGM	IN
	J1-C	DONGLE CS	SMM	OUT
	J1-D	DONGLE SK	SMM	OUT
	J1-E	DONGLE TX	SMM / PGM	OUT
	J1-F	DONGLE ALE2P	SMM	OUT
	J1-G	RCP COMMON	RCP	OUT
	J1-H	RCP BUZZER	RCP(*)	OUT
	J1-J	RCP LED	RCP	OUT
	J1-K	RCP ON	RCP	IN
	J1-L	DONGLE GND	SMM / PGM	OUT
	J1-M	N/C		

Table 1: J1 connector pin-out

(*)This wire is not used with some versions of Remote Control Panels. For precise information, refer to Remote Control Panel technical description.

(2) J2

Connector J2 is used to connect the outside antenna through a 50 Ω coaxial cable.

IMPORTANT: The length of the coaxial cable should not exceed 2 meters (6 ft) for a standard RG58 or equivalent coaxial cable. If the cable length exceeds 2 meters, a low loss cable of attenuation less than 1 dB must be used.

6. Technical Specifications

TYPE

- Three-frequency ELT (121,5 / 243,0 / 406,025 MHz)
- Automatic fixed
- COSPAS-SARSAT Category II (-20°C to +55°C) extended to -40°C to +55°C by Transport Canada Civil Aviation (TCCA).

406 MHz TRANSMISSION

- Frequency: 406.025 Mhz +/- 2 kHz
- Output power: 5W (37 +/- 2 dBm)
- Modulation type: 16K0G1D (Biphase L encoding)
- Transmission duration: 440ms (short message) every 50 sec. compatible with long message transmission (520ms)
- Autonomy: Over 24 hours at -20°C

121,5/243 MHz TRANSMISSION

- Frequencies: 121.5 MHz +/- 3 kHz
243.0 MHz +/- 6 kHz
- Output power: 100 to 400 mW (20dBm to 26 dBm) for each frequency
- Modulation type: 3K20A3X
- Modulation rate: > 85 %
- Frequency of modulation signal: 1420 Hz to 490 Hz with decreasing sweep
- Autonomy: Over 48 hours at -20°C

CONTROLS

- ARM / OFF / ON switch
- Bright red LED
- BNC antenna connector
- DIN12 connector for remote control panel (RCP) and pin programming option.
- Buzzer

G-SWITCH SENSOR

Mechanical G-switch sensor compliant with EUROCAE ED62 specifications
 6 G-switch assembly in ELT, KANNAD 406 AF (6D) (S1821502-06)

BATTERY

KIT BAT300, P/N : S1820516-99
 3 x LiMnO₂ D type cells for transmitter power supply
 Replacement every 6 years

HOUSING

Material: Molded plastic
 Color: Yellow (color compounded)
 Transmitter dimensions: 172 mm x 82 mm x 82 mm
 Overall dimensions: max 181 mm x 100 mm x 94 mm
 Weight: typical 1110 g / max 1260 g (including battery)
 Tightness: O-rings

ENVIRONMENTAL CONDITIONS

RTCA DO-160C / EUROCAE
 **A*[YLMC]AWXXXXZXXXZ*BXXX
 (* = reference to EUROCAE ED62)

QUALIFICATIONS

JTSO-2C91a & JTSO-2C126 (EUROCAE ED62)
 TSO-C91a & TSO-C126 (RTCA DO183 & DO204)

7. Activation

A. Standby mode for automatic activation

In order to be automatically activated by the crash sensor, the ELT must be in standby mode. This mode is mandatory during the flight. We recommend to switch the ELT off only when the aircraft is parked for a long period or for a maintenance operation.

- Check that the antenna is correctly connected.
- Switch to " ARM".

To operate the ELT with the Remote Control Panel, ensure that:

- The ELT switch is in position "ARM".

B. Manual activation

- Check that the antenna is correctly connected.
- Switch to " ON " (either on the ELT or on the Remote Control Panel):
 - The ELT starts with the self-test sequence.
 - 121,5 / 243 MHz transmission starts immediately after the self-test.
 - 406 MHz starts after 50 seconds (406 burst every 50 sec during 24 hours).
 - During transmission, buzzer operates and LED flashes.

8. Reset

It is possible to stop the ELT in case of unintentional activation.

Regulations state that no transmission must be interrupted unless every means are used to contact and inform the Air Traffic Controller of this action.

Important notice: As 406 MHz transmission is effective 50 seconds after the ELT activation, if it is reset within this delay, no further radio contact will be necessary.

A. Manual reset

- Switch to " OFF ".

B. Reset with Remote Control Panel

- The switch has to be in position "ARM" on the ELT.
- Switch to " RESET & TEST" on the remote control.

9. Self-Test

Refer to 1. Self-test, page 301

PAGE INTENTIONALLY LEFT BLANK

INSTALLATION / REMOVAL

Only JAR / FAR 145 certified service stations can install the KANNAD 406 AF / AF-H / AF (6D) ELT.

1. RTCA / FAR recommendations

"The conditions and tests required for TSO approval of this ELT are minimum performance standards. It is the responsibility of those desiring to install this ELT on a specific type or class of aircraft to determine that the aircraft installation conditions are within the TSO standards. The ELT may be installed only if further evaluation by the applicant documents an acceptable installation and it is approved by the Administrator". (TSO-C91a)

"The ELT must be attached to the aircraft in such a manner that the probability of damage to the transmitter in the event of a crash impact is minimized."

(FAR 91.207)

"The ELT shall be mounted to primary aircraft load-carrying structures such as trusses, bulkheads, longerons, spars, or floor beams (not aircraft skin). The mounts shall have a maximum static local deflection no greater than 2.5 mm (0.1 inch) when a force of 450 Newton (100 lbf) is applied to the mount in the most flexible direction. Deflection measurements shall be made with reference to another part of the airframe not less than 0.3 meters (1 foot) nor more than 1.0 meter (3 feet) from the mounting location." (RTCA-DO183)

The ELT should not be installed at less than 60 cm (2 ft) of a compass or flux gate.

Use cable of loss ≤ 1 dB.

The ELT front panel should be easily accessible to connect the outside antenna and the remote control panel device and to check the ELT good operation (controls and lights).

If no remote control is used, "ELT controls and displays installed for in-flight use shall be readily accessible from the pilot's normal seated position. The pilot shall have an unobstructed view of displayed data when in the normal seated position." (RTCA DO-183).

2. Registration and Programming

The ELT must be registered prior to installation on board.

The registration card available from the local registration authority must be completed and returned to this authority.

The "Programming Datasheet" (DIM0300) must be completed and returned to your distributor.

Any change of ownership shall also be declared and registered with the local registration authority and with the distributor.

The KANNAD 406 AF / AF-H / AF (6D) are fully compatible with the four programming protocols defined by the COSPAS-SARSAT C/S G005 document:

- Serialised Number.
- Aircraft 24 bit Address (the same as MODE S ATC or TCAS).
- Aircraft Operator Designator + serialised number up to 4096.
- Aircraft Nationality and Registration marking (Tail Number). This identification consists of up to 7 alphanumeric characters.

Programming of the ELT can be carried out either:

- by Martec Serpe-lesm or the distributor (order must include programming details).
- in the shop with a programming and testing equipment (PC interface and DOS or Windows® software).
- on board the aircraft.

This operation takes less than 2 minutes and does not need any hardware operation. The identification is simply downloaded in the ELT when connected to the Martec Serpe-lesm programming equipment via the DIN 12 connector.

A. "Pin programming" option

The KANNAD 406 AF / AF-H / AF (6D) offer pin-programming capabilities to facilitate maintenance operations especially in case of removals and/or replacement.

A special DIN 12 connector with a Serial Memory Module (called "Programming Dongle") is connected to the ELT when installed on board. This Programming Dongle contains the identification information of the aircraft and remains on board the aircraft. When an unprogrammed ELT is installed and connected to this Programming Dongle and the "ELT" is switched to "ARM", it automatically updates its own memory with the identification data contained in the

Programming Dongle memory.

When the ELT is removed from the aircraft, it keeps its identification data.

For maintenance purposes, it is possible to delete the identification information of the ELT by connecting a "Maintenance Dongle" to the ELT. Any accidental transmission with this "maintenance dongle" will not involve SAR operation as the identification code transmitted is recognised by COSPAS-SARSAT as "not on board".

When a maintenance dongle is connected:

- Country code is **227** (France).
- Protocol is **Test**.
- Identification number is **SI + 5 digits** (the last 5 digits of CSN number).

If the pin programming option is selected by the operator, the following equipment are required:

- a "Programming Dongle" on each aircraft;
- a "Maintenance Dongle" on each ELT spare.

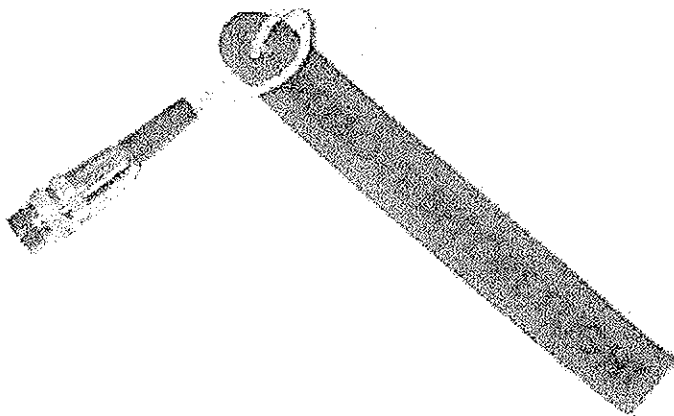


Figure 201: Maintenance Dongle

3. Installation

- Determine the location of the ELT on board according to FAR/RTCA recommendations.
- Determine the axis of the ELT, according to the type of KANNAD 406:
 - KANNAD 406 AF: Refer to A. KANNAD 406 AF installation, page 206;
 - KANNAD 406 AF-H: Refer to B. KANNAD 406 AF-H installation, page 207;
 - KANNAD 406 AF (6D): Refer to C. KANNAD 406 AF (6D) installation, page 208.
- Drill 4 holes \varnothing 6 mm in the aircraft structure according to "Drilling mask". Holes 4,5,6,7 shall be preferred.
- If the aircraft structure is not solid enough to withstand a 500 kg traction on the bracket, a reinforcement plate (not supplied) should be installed as shown Figure 202: Bracket installation.
- Fix the bracket with the 4 screws, 8 washers and 4 nylstop nuts supplied.
- **IMPORTANT: tighten to a torque between 4 and 5 Newton x meter.**
- Verify that the ELT identification label matches the aircraft tail number.
- Mount the transmitter on the bracket.
- Fasten the Velcro® strap tightly.

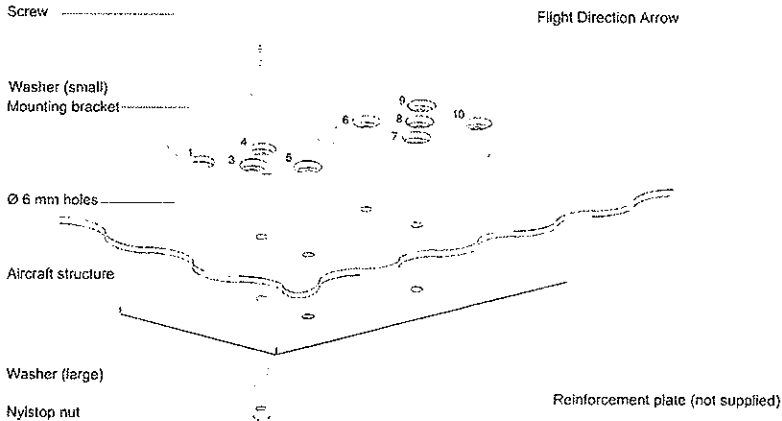


Figure 202: Bracket installation

- Verify that the ELT identification label matches the aircraft tail number.
- Mount the transmitter on the bracket.
- Slide the self-stripping strap through the buckle and fasten it tightly.

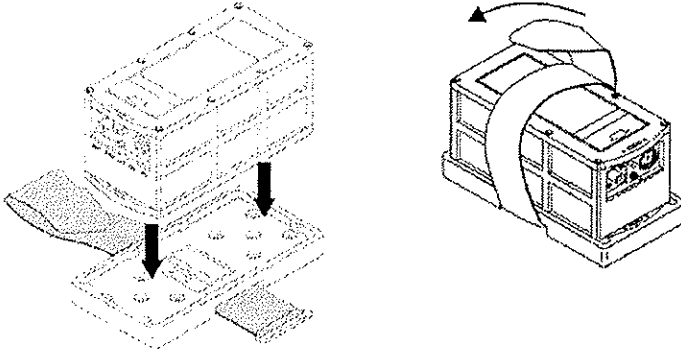


Figure 203: Installing the transmitter on the bracket

- Connect the outside antenna to the BNC connector (Refer to Figure 204: Installation, controls and connectors) as shown Figure 2: ELT system description page 3.

Note regarding the outside antenna: The installation of the outside antenna is not covered by this manual. Refer to antenna manufacturer's instructions. If the aircraft is not metallic, the antenna should be mounted on a metallic counterpart.

- Connect the Remote Control Panel (or CS144) to the DIN12 connector (Refer to Figure 204: Installation, controls and connectors) as shown Figure 2: ELT system description page 3.
- Set the 3-position switch (Refer to Figure 204: Installation, controls and connectors) to ARM.

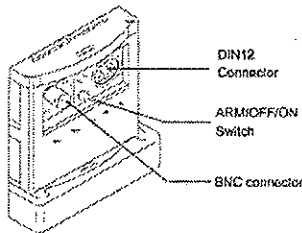


Figure 204: Installation, controls and connectors

- Perform the first power up procedure (Refer to 4. First power up, page 208).

A. KANNAD 406 AF installation

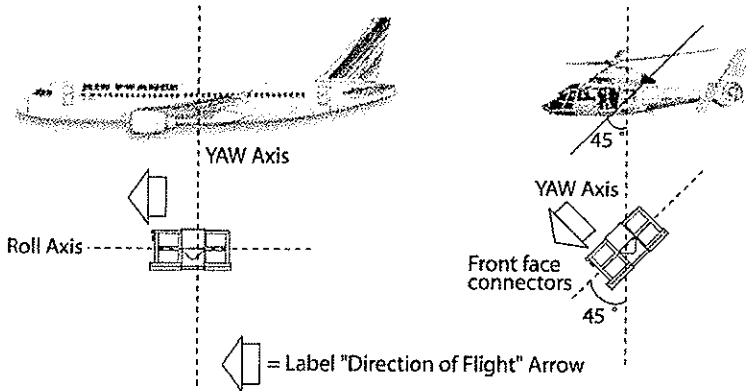


Figure 205: KANNAD 406 AF installation

(1) Fixed wings

The G-Switch sensor axis shall be pointed to sense the primary crash pulse along the longitudinal axis of the aircraft (with maximum tolerance of 15°). Consequently, the KANNAD 406-AF shall be mounted with the arrow of the "Direction of Flight" label pointed towards the front of the aircraft.

(2) Helicopters

The KANNAD 406 AF can be installed in its standard version on helicopter. The ELT unit should be mounted:

- with the front face connectors pointing downwards at a 45° angle to the yaw axis;
- and with "Direction of Flight" arrow towards the front of the helicopter.

NOTE: Should the KANNAD 406 AF be installed on board helicopter, it will be necessary to make a special mounting base to install the ELT.

B. KANNAD 406 AF-H installation

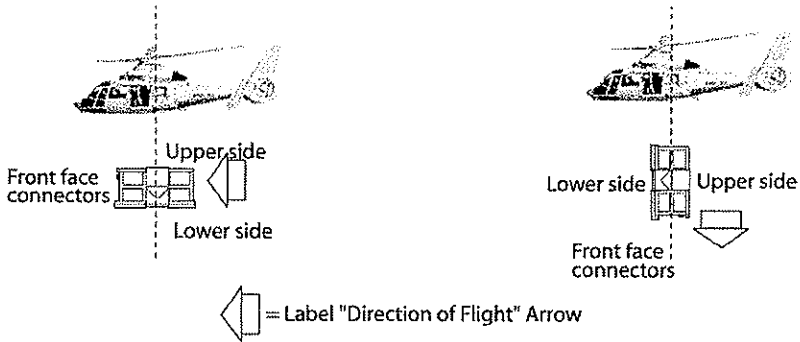


Figure 206: KANNAD 406 AF-H installation

IMPORTANT: The KANNAD 406 AF-H is designed to be installed on board helicopters only.

The "Direction of Flight " arrow shall point towards the front or the bottom of the helicopter (and not pointing 45° downwards):

- If the KANNAD 406 AF-H is installed with the "Direction of Flight " arrow pointing towards the front of the helicopter, the ELT shall be mounted with the upper side pointing towards the top of the helicopter.
- If the KANNAD 406 AF-H is installed with the "Direction of Flight " arrow pointing towards the bottom of the helicopter, the ELT shall be installed with the lower side pointing towards the front of the helicopter.

C. KANNAD 406 AF (6D) installation

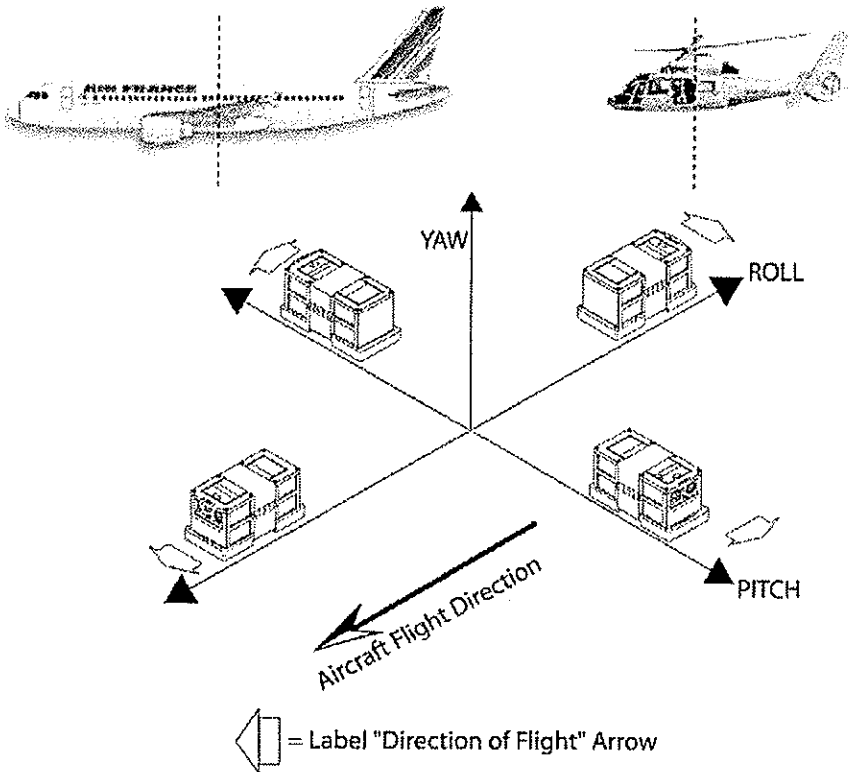


Figure 207: KANNAD 406 AF (6D) installation

For fixed wings aircraft and helicopters, the KANNAD 406 AF (6D) shall be mounted in roll or pitch plane, either parallel or perpendicular to the aircraft flight direction.

4. First power up

Perform the following tests:

1. ELT operational tests:
Refer to 2. ELT operational tests, page 302
2. RCP operational tests:
Refer to 3. RCP operational tests, page 303
3. 406 & 121.5 MHz transmission tests (optional):
Refer to 4. 406 and 121.5 MHz transmission test, page 304

5. Removal

- Switch the ELT to OFF (Refer to Figure 204: Installation, controls and connectors).
- Disconnect the Remote Control Panel (or CS144) from the DIN12 connector (Refer to Figure 204: Installation, controls and connectors).
- Disconnect the outside antenna from the BNC connector (Refer to Figure 204: Installation, controls and connectors).
- Unfasten the self-stripping strap.
- Remove the transmitter from the bracket.

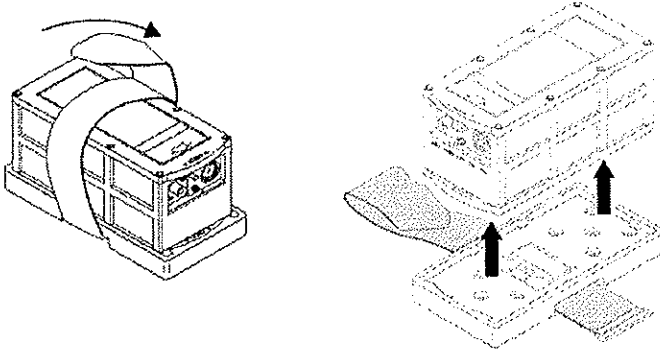


Figure 208: Removing the transmitter

PAGE INTENTIONALLY LEFT BLANK

CHECK

1. Self-test

A. Periodicity

It is recommended by the manufacturer to test the ELT to detect any possible failure.

Operational check must be performed regularly by pilot or maintenance man from the cockpit (Remote Control Panel) but **should not be done more than once a week.**

However, each self-test consumes energy from the battery. Should self-tests be carried out more often than the maximum allowed, the battery life-time might be shorter than specified.

Do not perform Self-test without the antenna connected.

B. Self-test procedure

- Check that the antenna is correctly connected.
- Switch from position "OFF" to position "ARM" or press "RESET & TEST" on the Remote Control Panel (ensure that the ELT switch is in position "ARM").
 - The buzzer operates during the whole Self-test procedure.
 - After a few seconds, the test result is displayed with the LED as follows:
 - One long flash indicates good test.
 - A series of short flashes indicates bad test.
- Switch back to "OFF".

***If self-test fails, contact the distributor as soon as possible.
Unless a waiver is granted, flight should be cancelled.***

Remark: The number of flashes gives an indication of the faulty parameter detected during the self-test.

3+1	LOW BATTERY VOLTAGE
3+2	LOW RF POWER
3+3	FAULTY VCO LOCKING (FAULTY FREQUENCY)
3+4	NO IDENTIFICATION PROGRAMMED

2. ELT operational tests

A. *Installation without programming dongle:*

- connect RCP to J1 and outside antenna to J2;
- switch the ELT from OFF to ARM;
- check that the Self-Test result is OK (one long flash).

B. *Installation with "Programming Dongle":*

- connect the outside antenna to J2;
- switch the ELT from OFF to ARM;
- check that the Self-Test fails (3+4 flashes);
- if not, connect a maintenance dongle to J1:
 - Switch the ELT from OFF to ARM;
 - Check that the Self-Test fails (3+4 flashes);
 - Remove the maintenance dongle from J1.
- connect the "Programming Dongle" to J1;
- switch the ELT from OFF to ARM:
the buzzer operates during the whole self-test procedure, after a few seconds the LED displays the result.
- check that the Self-Test result is OK (one long flash).

3. RCP operational tests

Check correct operation of RCP LED and external buzzer by switching ELT and RCP as described in the sequential procedure hereunder (with ELT switch in position "ARM").

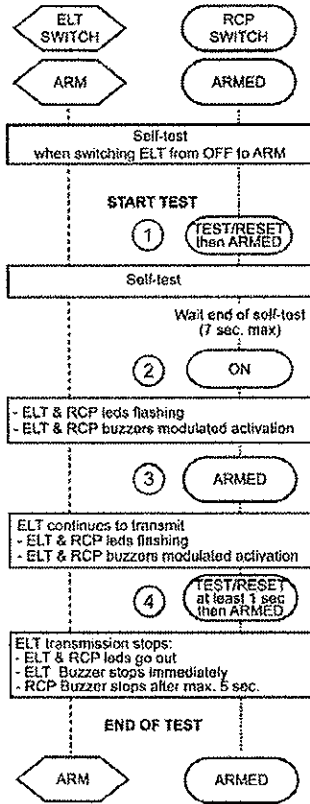


Figure 301: RCP LED and buzzer operation

IMPORTANT: (2) before switching the RCP to ON, wait for the end of the self-test.

4. 406 and 121.5 MHz transmission test

A. 406 MHz

This test must be carried out with a COSPAS-SARSAT decoder.

- Perform self-test (Press RESET and TEST on the RCP or switch ELT from OFF to ARM).
- Check with the COSPAS-SARSAT decoder that, except for the 5th and the 6th digits, the decoded message is identical to the programmed message.

NOTE: The message transmitted during self-test sequence always begins with FF FE D0 whereas a programmed message begins with FF FE 2F.

Example of message programmed in ELT:

FF FE 2F 53 C3 24 97 38 0B A6 0F D0 F5 20

Example of same message decoded by SARTECH ARG5410:

FF FE D0 53 C3 24 97 38 0B A6 0F D0 F5 20

B. 121.5 MHz

IMPORTANT: this test must only be carried out between H and H+5 minutes. Do not exceed 30 seconds of transmission.

This test must be carried out with a VHF receiver.

- Tune VHF receiver to 121.5 MHz;
- Start transmission:
 - either on ELT: ON position;
 - or on the RCP: ON position (the ELT shall be in ARM position);
- Listen to the 121.5 MHz "sweep tone";
- Stop transmission:
 - either on ELT: OFF or ARM position;
 - or on the Remote Control Panel: press TEST and RESET (the ELT shall be in ARM position).

TROUBLESHOOTING

1. General

Procedure for fault isolation on board uses the indicator light of the ELT's front panel. This indicator light is activated by a self-test capability within the ELT.

2. Faults on Self-test

A. Indicator lamp

When the self-test is carried out, the number of flashes gives an indication of the faulty parameter detected during the self-test.

(1) 3+1 flashes

- Low battery voltage:
Check battery, CMM 25-63-01 TASK 25-63-01-700-801-A01 Para 1.F(1).

(2) 3+2 flashes

- Low RF power:
Check 406 MHz power, CMM 25-63-01 TASK 25-63-01-700-801-A01 Para 1.F(4).

(3) 3+3 flashes

- Faulty VCO locking (faulty frequency):
Check 406 MHz frequency, CMM 25-63-01 TASK 25-63-01-700-801-A01 Para 1.F(4).

(4) 3+4 flashes

- No identification programmed
Check programming, refer to PR550 user manual (DMA192).

3. Other faults detected

A. Buzzer

(1) Buzzer does not operate.

- Refer to CMM 25-63-01 TASK 25-63-01-700-802-A01.

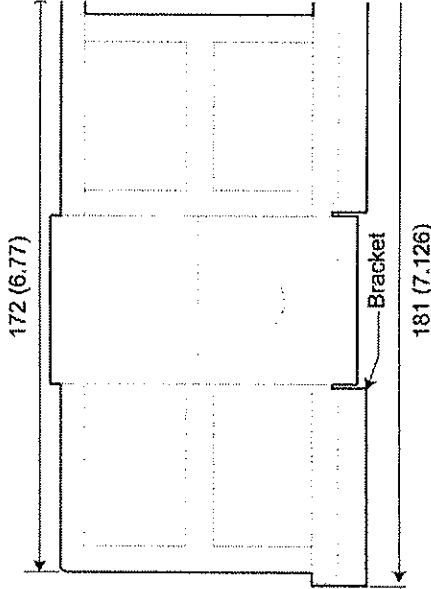
(2) Buzzer operates permanently when ELT in ARM mode.

- Refer to CMM 25-63-01 TASK 25-63-01-700-802-A01.

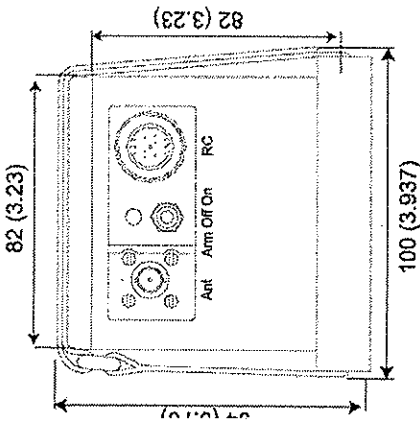
PAGE INTENTIONALLY LEFT BLANK

SCHEMATICS & DIAGRAMS

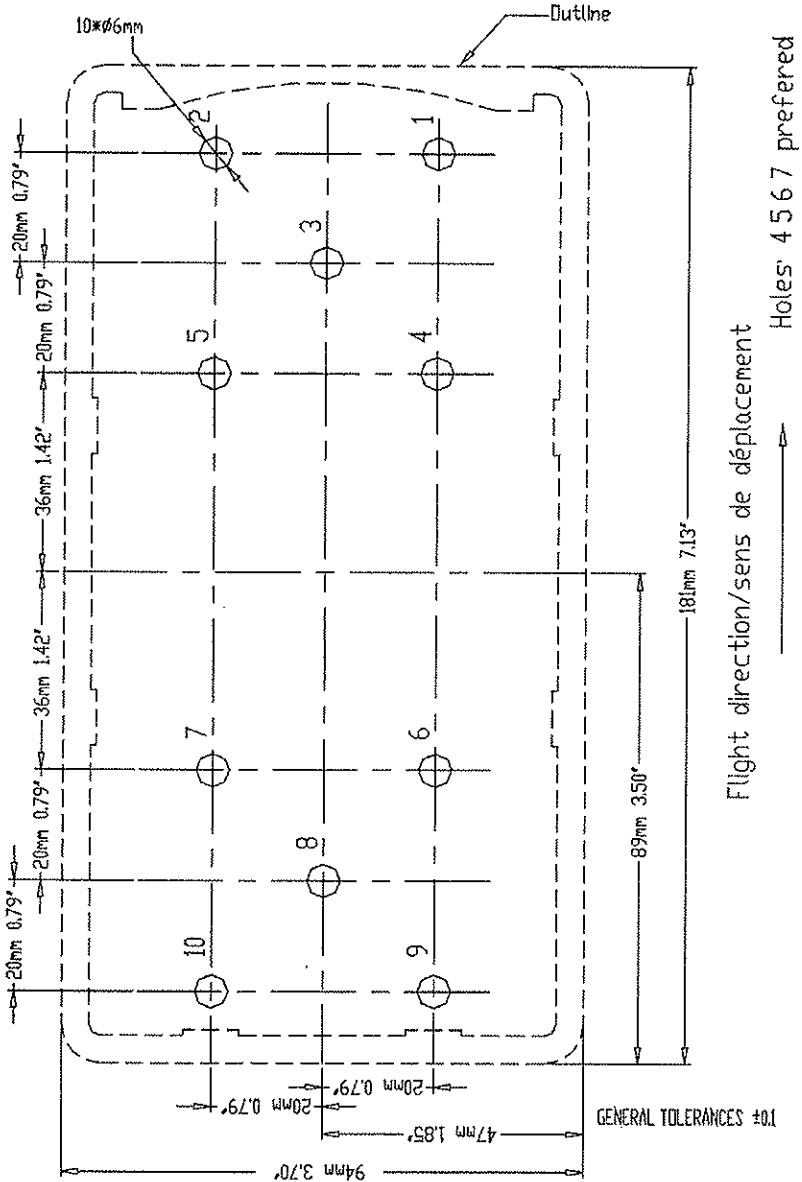
1. Outline Dimensions



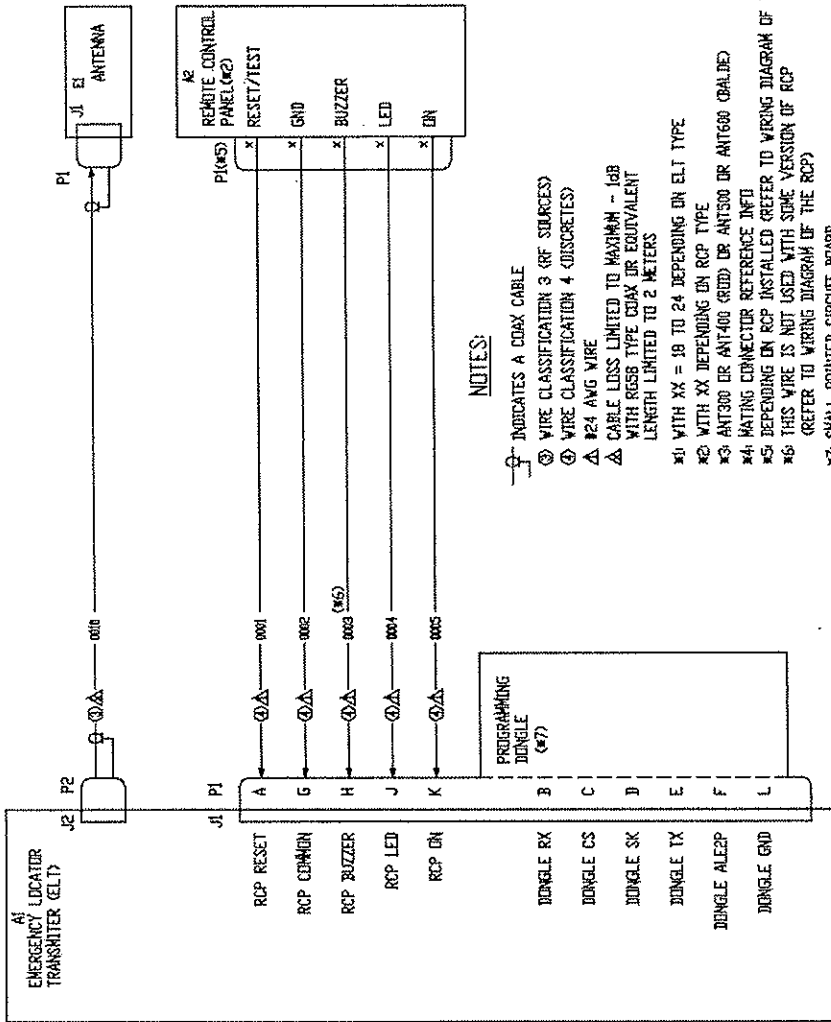
Note: all dimensions are in millimeters
(inches in brackets)



2. Drilling Mask



3. Wiring



PAGE INTENTIONALLY LEFT BLANK